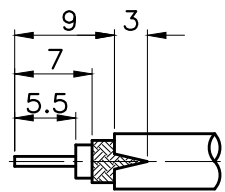
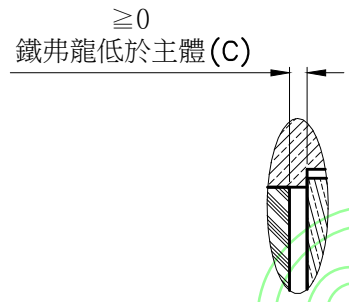
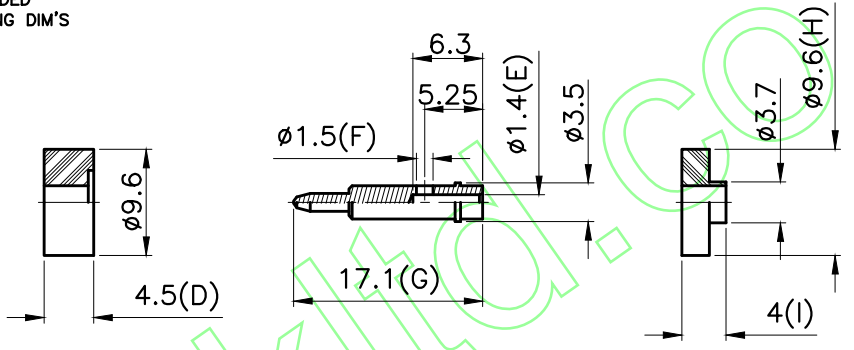
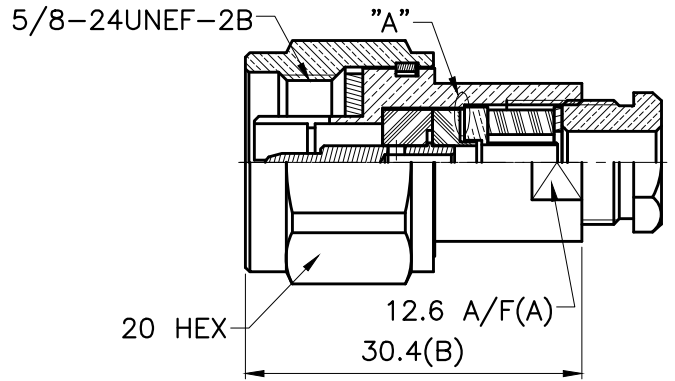


REVISIONS	
ISS	DESCRIPTION\DATE

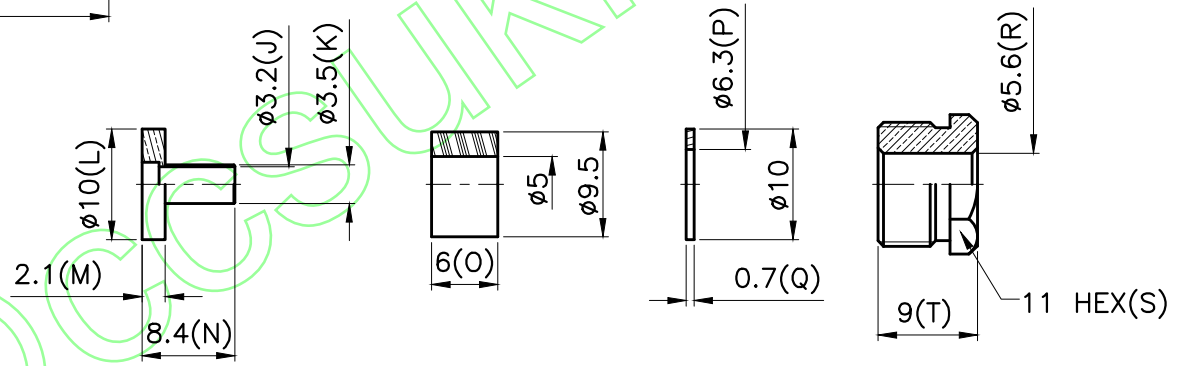
RoHS COMPLIANT



RECOMMENDED CABLE STRIPPING DIM'S



A VIEW



CONNECTORS CABLES  
**CBS**  
SPECIALISTS LTD.

TITLE: N MALE CLAMP  
(FOR RG58, RG223, RG400, RG142)

APRD:	UNLESS OTHERWISE SPECIFIED TOLERANCES 0.5-6 = ±0.2 >6-30 = ±0.4 >30-120 = ±0.6 >120-315 = ±1 >315-1000 = ±1.6 ANGLES = ±5°
CHKD:	
DR:	

PART NO: NPSC58HEX	030	DATE: 04/03/19"	UNIT: mm
DRAWING NO:			SCALE: 1.5/1

NUT	BRASS	NICKEL
WASHER	BRASS	NICKEL
GASKET	SILICONE	WHITE
TOP HAT	BRASS	NICKEL
INSULATOR	TEFLON	WHITE
CONTACT PIN	BRASS	GOLD
INSULATOR	TEFLON	WHITE
BODY	BRASS	NICKEL
RING	BRASS	NONE
GASKET	SILICONE	WHITE
SHELL	BRASS	NICKEL
NO. DESCRIPTION	MATERIAL	FINISH